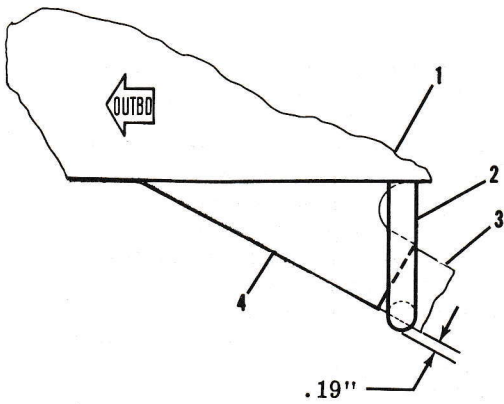
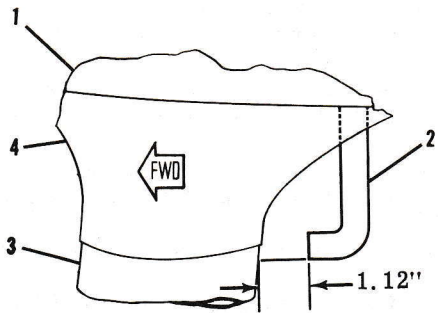
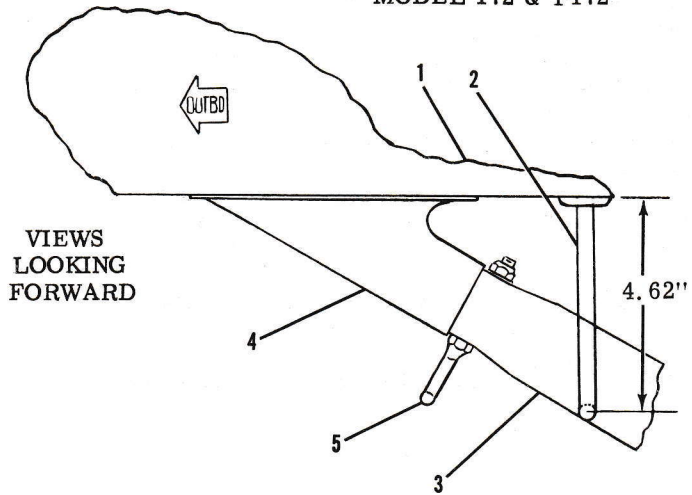


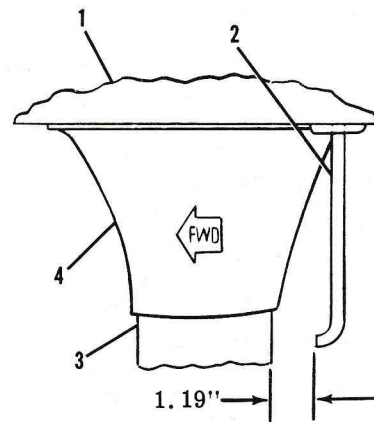
MODEL 180, 182, AND 185



MODEL 172 & P172



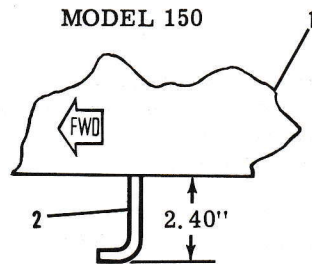
VIEWS
LOOKING
INBOARD



NOTE

Dimensions must be within $\pm .03$ " tolerance.

VIEW
LOOKING
INBOARD



PERPENDICULAR TO
BOTTOM OF WING SKIN

- 1. Wing
- 2. Vent
- 3. Strut
- 4. Fairing
- 5. Tie-Down Ring

Figure 13-13. Fuel Vent Location